

TYPE 48-1 AND 48-2 SWITCH CODING CHART

48-X		-XX		-X		-XX		-X		-X	
SWITCH SERIES	SWITCH DESCRIPTION	BEZEL TYPE CODE	BEZEL DESCRIPTION	LED COLOR CODE	LED COLOR	BUTTON COLOR CODE	BUTTON COLOR	MOUNTING STYLE CODE	MOUNTING DESCRIPTION	LED VOLTAGE CODE	LED VOLTAGE
48-1	MECHANICAL, MOMENTARY, SOLDER TERMINAL	RB	ROUND, BLACK	N	NO LED	RD	RED	B	BUSHING	(BLANK)	SEE NOTE 2.
48-2	MECHANICAL, MAINTAINED, SOLDER TERMINAL	SB	SQUARE, BLACK	R	RED	GR	GREEN	S	SNAP-IN	05	5V FORWARD
-	-	RC	ROUND, CHROME	G	GREEN	BK	BLACK	-	-	-	-
-	-	SC	SQUARE, CHROME	Y	YELLOW	BL	BLUE	-	-	-	-
-	-	-	-	A	AMBER	YL	YELLOW	-	-	-	-
-	-	-	-	B	BLUE	OR	ORANGE	-	-	-	-
-	-	-	-	W	WHITE	CR	CHROME	-	-	-	-
-	-	-	-	-	-	WH	WHITE	-	-	-	-

THIS DOCUMENT WAS DOWNLOADED FROM www.itwswitches.com AND ITS CONTENT IS SUBJECT TO CHANGE WITHOUT NOTICE. PLEASE CONTACT CUSTOMER SERVICE TO VERIFY CURRENT SPECIFICATIONS AND DIMENSIONS.

MECHANICAL CHARACTERISTICS:

- SWITCH CIRCUITRY: SPST-NO-DB
- SWITCH ACTION: MOMENTARY & MAINTAINED
- BUTTON TRAVEL (NOMINAL): .09 in/2.3 mm
- SWITCH LIFE:
MOMENTARY: 1,000,000 CYCLES MIN
MAINTAINED: 100,000 CYCLES MIN
- OPERATING FORCE (NOMINAL): 3N/306g
- CONTACT BOUNCE (NOMINAL): 1ms
- PANEL THICKNESS:
BUSHING MOUNT: .02-.12 in/0.5-3.0 mm
SNAP-IN MOUNT: .05-.12 in/1.3-3.0 mm

ENVIRONMENTAL SPECIFICATIONS:

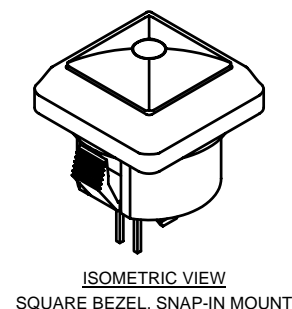
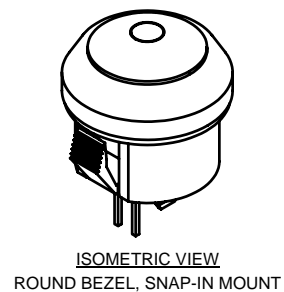
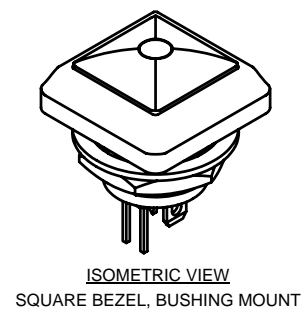
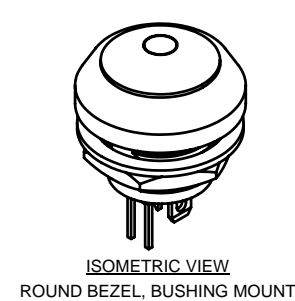
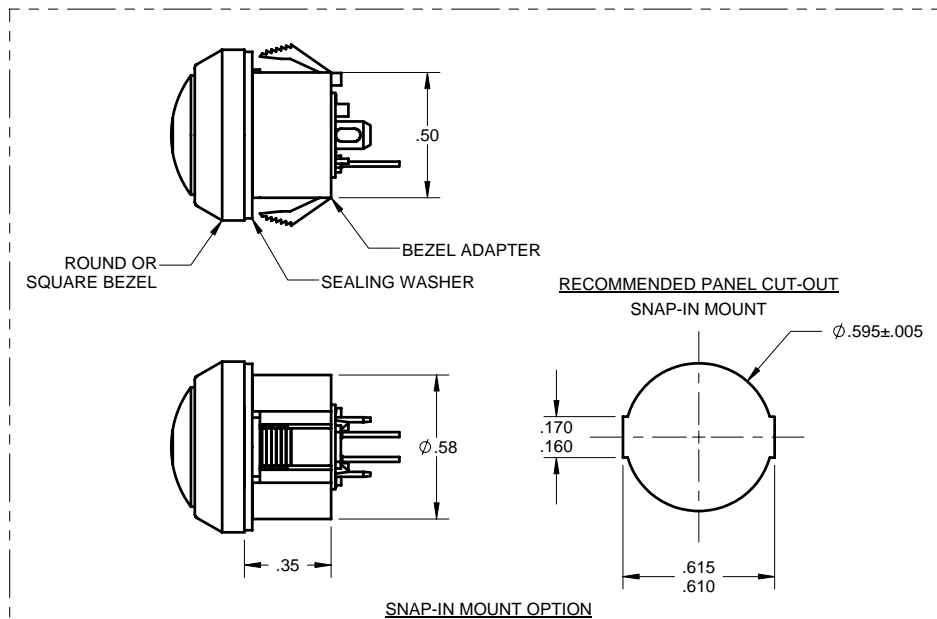
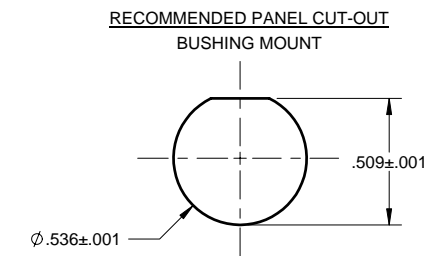
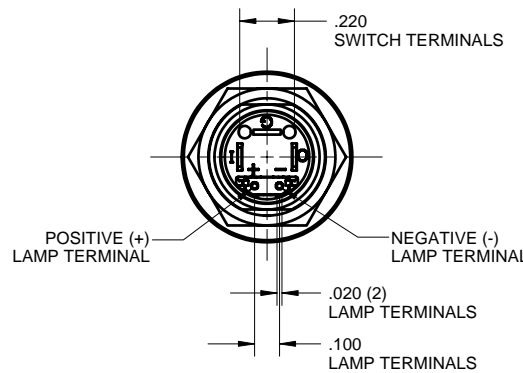
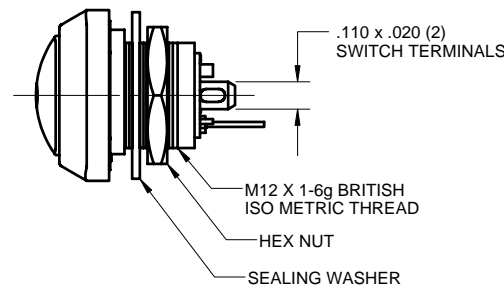
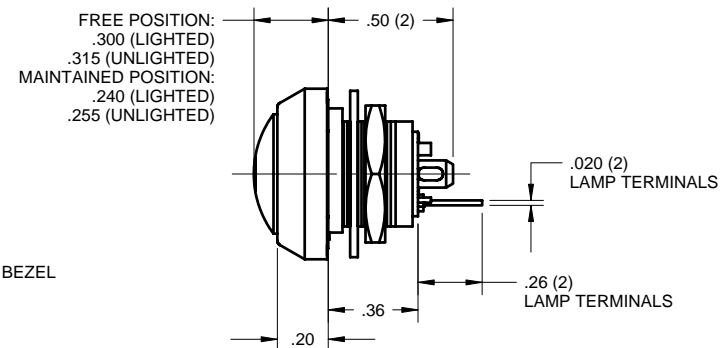
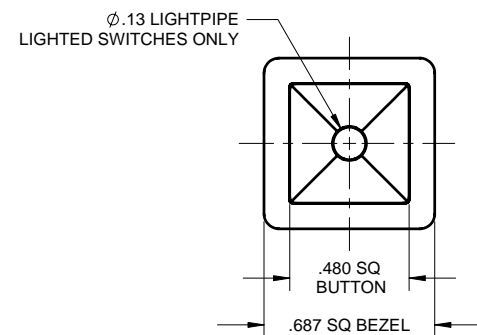
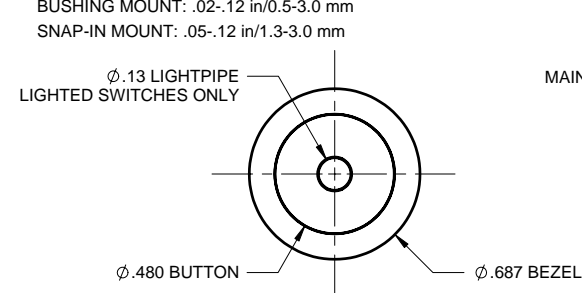
- ACTUATOR INGRESS PROTECTION: IP67
- OPERATING TEMPERATURE: -40 °F TO +185 °F

ELECTRICAL SPECIFICATIONS:

- CURRENT RATING: 10 mA, 12 VDC RESISTIVE
- DIELECTRIC STRENGTH: 1,000 VAC
- INSULATION RESISTANCE: 1G OHM
- CONTACT RESISTANCE: 50m OHMS
- SWITCH LIFE: 1,000,000 CYCLES MIN

NOTES:

1. SWITCHES ARE SUPPLIED WITH SEALING WASHER AND HEX NUT BULK PACKED.
2. CURRENT LIMITING RESISTOR IS REQUIRED TO LIMIT LED FORWARD CURRENT TO 20mA.



PRODUCT DRAWING

UNLESS OTHERWISE NOTED, DIMENSIONS ARE IN INCHES. TOLERANCES: 3 PLACE DECIMAL ± .005 2 PLACE DECIMAL ± .01 ANGULAR ± 1/2

ITW Switches
AN ILLINOIS TOOL WORKS COMPANY

DWG TITLE: SERIES 48-1 & 48-2 SWITCH; MECH; SOLDER TERM

RoHS COMPLIANT		DRAWN		CHK		APP'D		SUPV		CODE IDENT. No. 04426	SIZE C	DWG NO. 48-1 & 48-2	REV F
YES	NO	MDS	MDS	MDS	ESB						SCALE 2:1	SHEET 1 OF 1	