



*Quality Products. Service Excellence.*

## Type 3R Aluminum Junction Box C3RESCNKAL Series

Screw Cover and without Knockouts



### Application

- Designed for use as a wiring/junction box.
- Provides protection against rain, sleet, snow and dripping water.

### Standards

- UL-50 Type 3R
- CSA Type 3R
- Complies with:
  - NEMA Type 3R
  - IEC 60529, IP24

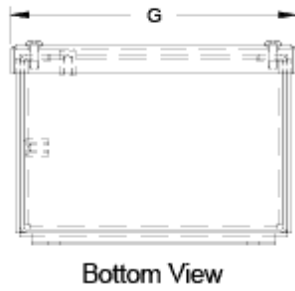
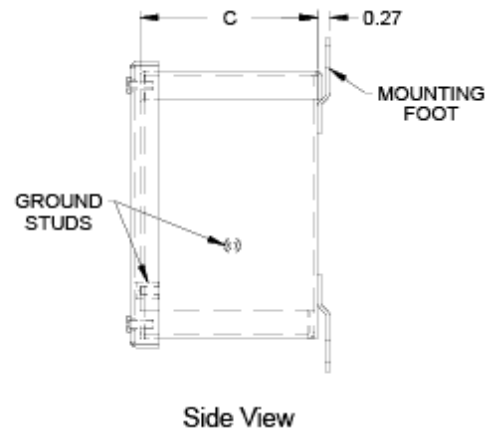
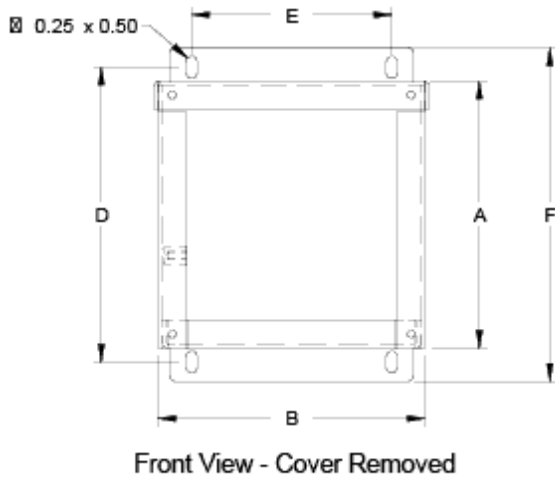
### Construction

- Formed from 0.08" Type 5052 H-32 aluminum
- Drip-shield top and seam-free sides, front and back.
- Slip-on removable cover fastened with plated steel screws.
- External mounting feet.
- Oil resistant gaskets are permanently secured.
- A bonding stud is provided on the door and a grounding stud is provided in the box..

### Finish

- Enclosure and cover are finished in natural unfinished aluminum.





| Part No.        | Overall Dimensions |       |      | Mounting |       | Overall Dim. |       |
|-----------------|--------------------|-------|------|----------|-------|--------------|-------|
|                 | A                  | B     | C    | D        | E     | F            | G     |
| C3R664ESCNKAL   | 6.00               | 6.00  | 4.00 | 6.63     | 4.50  | 7.50         | 6.42  |
| C3R884ESCNKAL   | 8.00               | 8.00  | 4.00 | 8.63     | 6.50  | 9.50         | 8.42  |
| C3R886ESCNKAL   | 8.00               | 8.00  | 6.00 | 8.63     | 6.50  | 9.50         | 8.42  |
| C3R10104ESCNKAL | 10.00              | 10.00 | 4.00 | 10.63    | 8.50  | 11.50        | 10.42 |
| C3R10106ESCNKAL | 10.00              | 10.00 | 6.00 | 10.63    | 8.50  | 11.50        | 10.42 |
| C3R12124ESCNKAL | 12.00              | 12.00 | 4.00 | 12.63    | 10.50 | 13.50        | 12.42 |
| C3R12126ESCNKAL | 12.00              | 12.00 | 6.00 | 12.63    | 10.50 | 13.50        | 12.42 |

Data subject to change without notice

© 2019. Hammond Manufacturing Ltd. All rights reserved.