

- ABOUT US
- REPRESENTATIVES
- DISTRIBUTORS
- RESOURCE CENTER
- WHAT'S NEW

[Check Stock/Pricing](#)

Part Number (min 3 char)

PRODUCT FINDER

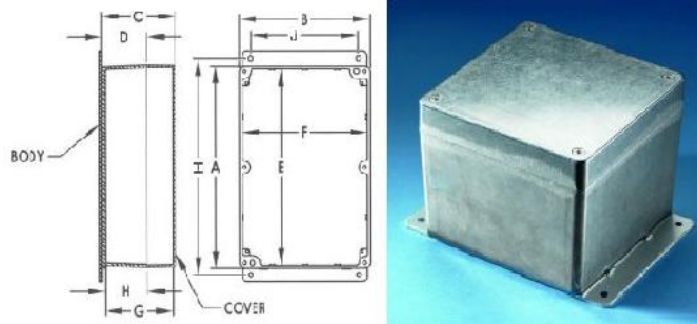
- Large Cabinet Racks
- Communications Cabinets/Racks
- Cabinets
- Open Racks
- Server Racks
- Aluminum Enclosures and Chassis
- Small Metal Enclosures
- Die Cast Boxes
- Plastic Enclosures
- NEMA Boxes (Water-tight Plastic and Fiberglass)
- NEMA Boxes (Water-tight Sheet Metal)
- NEMA Boxes (Water-tight Aluminum)
- Accessories
- Brackets
- Custom Enclosures

Follow BUD On:



Die Cast Aluminum Enclosure

AN-A Series - IP68 With Welded Mounting Brackets



Click on Image for Larger View

Die cast aluminum NEMA 4x,6, 6P, 12, 13 boxes with external mounting brackets increase both adaptability and use. These boxes allow for the mounting of the box without having to remove the cover, thereby possibly compromising the NEMA 4X, 6P rating.

- Body & Cover: Aluminum Alloy #ADC-12
- Cover Screws: M4 Stainless Steel, non-magnetic
- PCB Mounting Hardware: Requires kit #57-58, ordered separately

Design Features

- **Direct replacement to AN-28xx series**
 - **0.09" External mounting brackets** allow the box to be mounted on a wall or panel without having to remove the cover and exposing internal components to the environment
 - **Pre molded continuous Silicon gasket** with outstanding performance.
 - Rugged #ADC-12 alloy die cast aluminum box
 - **Available NEMA 6 (natural finish) & 6P (recommended powder coated Black for extra corrosion protection)**
 - **IP 67 tested by TUV**
 - **Test results exceeded** the requirements in respect to IEC60529 **IP68** conditions (UL Type 6P tested under 6' of water for 24 hours)
 - **Type 4X,6,6P,12,13 as listed under UL file #E194432**
 - Cover attaches with **stainless screws torqued at 12 in-lb.**
 - Easily machined and modified to your particular requirements
 - Offers **EMC protection**
- **For Black powder finish, add "B" as suffix(Example: AN-2800-AB)**

IP68 NEMA /UL 4X,6,6P BOX WITH WELDED MOUNTING BRACKETS														
IP68 Catalog Number	Drawings	External Dimensions				Internal Dimensions				Mounting Dimensions		Wall Thickness	Wgt. Ozs.	Opt Int Pa
		A	B	C	D	E	F	G	H	I	J			
AN-2800-A	PDF DXF	3.54"	1.42"	1.18"	.98"	3.17"	1.04"	.97"	.87"	4.25"	--	.11"	6.0	AN: 913
AN-2801-A	PDF DXF	2.52"	2.28"	1.38"	1.17"	2.19"	1.95"	1.17"	1.07"	3.13"	1.25"	.13"	6.0	AN: 913
	PDF													AN:

AN-2802-A	DXF	4.53"	2.56"	1.18"	.98"	4.13"	2.15"	.98"	.88"	5.19"	1.62"	.13"	10.0	AN/913
AN-2803-A	PDF DXF	4.53"	2.56"	2.17"	1.96"	4.03"	2.07"	1.96"	1.86"	5.19"	1.62"	.13"	14.0	AN/913
AN-2804-A	PDF DXF	4.53"	3.54"	2.17"	1.96"	4.01"	3.03"	1.96"	1.86"	5.25"	2.56"	.13"	16.0	AN/913
AN-2805-A	PDF DXF	5.83"	4.25"	2.95"	2.52"	5.34"	3.76"	2.71"	2.42"	6.38"	3.25"	.13"	28.0	AN/913
AN-2806-A	PDF DXF	6.73"	4.76"	2.17"	1.73"	6.27"	4.30"	1.89"	1.60"	7.38"	3.81"	.13"	28.0	AN/913
AN-2807-A	PDF DXF	8.75"	5.75"	2.17"	1.98"	8.27"	5.29"	1.95"	1.85"	9.38"	4.75"	.12"	57.0	AN/913
AN-2808-A	PDF DXF	8.75"	5.75"	3.25"	1.98"	8.27"	5.29"	3.07"	1.85"	9.38"	4.75"	.12"	78.0	AN/913
AN-2809-A	PDF DXF	4.75"	4.75"	4.00"	3.20"	4.38"	4.38"	3.80"	3.10"	5.25"	3.25"	.13"	33.5	AN/913
AN-2810-A	PDF DXF	6.25"	6.25"	4.00"	3.20"	5.88"	5.88"	3.80"	3.10"	6.75"	5.12"	.13"	40.0	AN/913
AN-2811-A	PDF DXF	1.97"	1.77"	1.12"	.89"	1.78"	1.58"	.93"	.77"	2.63"	0.87"	.12"	3.6	AN/913
AN-2812-A	PDF DXF	3.85"	2.52"	1.35"	.99"	3.61"	2.28"	1.12"	.87"	4.50"	1.62"	.12"	9.0	AN/913
AN-2813-A	PDF DXF	4.90"	3.14"	1.59"	.99"	4.60"	2.83"	1.36"	.87"	5.56"	2.25"	.12"	16.0	AN/913
AN-2814-A	PDF DXF	4.90"	3.14"	2.26"	1.67"	4.60"	2.83"	2.03"	1.54"	5.62"	2.25"	.12"	18.5	AN/913
AN-2815-A	PDF DXF	5.91"	2.52"	1.45"	1.04"	5.63"	2.24"	1.13"	.88"	6.56"	1.62"	.15"	16.0	AN/913
AN-2816-A	PDF DXF	6.29"	3.93"	2.37"	1.58"	5.98"	3.62"	2.13"	1.46"	6.94"	3.00"	.12"	28.0	AN/913
AN-2817-A	PDF DXF	6.29"	3.93"	3.19"	2.40"	5.98"	3.62"	2.95"	2.28"	6.94"	3.00"	.12"	33.5	AN/913
AN-2818-A	PDF DXF	2.19"	1.61"	1.22"	1.06"	1.91"	1.34"	1.10"	1.00"	2.88"	.69"	.06	N/A	AN/913
AN-2819-A	PDF DXF	3.13"	2.93"	2.05"	1.58"	2.85"	2.65"	1.91"	1.51"	3.75"	2.00"	.07	N/A	AN/913
AN-2820-A	PDF DXF	4.04"	2.07"	1.00"	0.85"	3.79"	1.80"	0.87"	0.78"	4.69"	1.13	.07	N/A	AN/913
AN-2821-A	PDF DXF	6.89"	3.15"	2.36"	1.58"	6.61"	2.86"	2.22"	1.51"	7.63"	2.25"	.07	N/A	AN/913
AN-2822-A	PDF DXF	7.87"	4.72"	2.95"	2.17"	7.56"	4.43"	2.81"	2.10"	8.63"	3.75"	.07	N/A	AN/913
AN-2823-A	PDF DXF	10.24"	6.30"	3.56"	2.78"	9.84"	5.93"	3.39"	2.71"	10.88"	5.25"	.07	N/A	AN/913

* New Sizes. N/A - Contact Factory

[CLICK HERE](#) to download assembly instructions,

[DXF](#) Autocad DXF Specifications File

[PDF](#) Adobe PDF Specifications File

(Right Click and save link to your computer. Requires CAD software such as AutoCAD)

[Download PDF Viewer](#)

For the majority of our enclosures we offer 3D STEP files upon request

